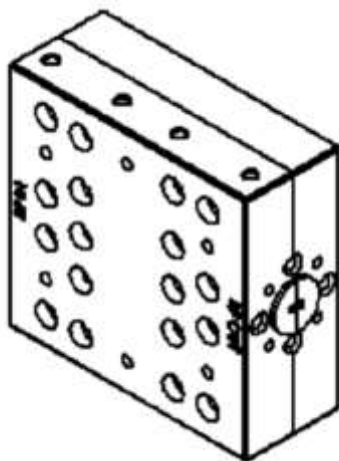




AT-CPA-7176-1830G1

71-76GHz Power Amplifier, Psat=+30dBm

E1 Band High Power Amplifier, Gain=18dB , Psat +30dBm, WR-12



Product Overview

AT-PA-7176-1830G1 is 18dB high gain power amplifier with +30dBm output power in the frequency of 71-76GHz. The DC power requirement is +5V/4A. The module is with a standard WR-12 waveguide. GaAs amplifier chips are used inside.

The power amplifier has high gain, high linearity, low input/output return loss and flat gain response. It can also be used from 75-88GHz with some variation of performance.

More information, please visit www.atmicrowave.com

Advantages

- ✓ Frequency: 71-76GHz
- ✓ P1=+28dBm
- ✓ Psat:+30dBm
- ✓ Small signal gain: 18dB

Application

- ✓ E Band Communication
- ✓ FOD (Foreigner Objects Debris)
- ✓ Test Equipment
- ✓ ROF (RF Over Fiber)
- ✓ Radar System

Key Features

Parameter	Min	Typical	Max
Frequency		71-76GHz	
Small Signal Gain	16dB	18dB	
Output P1	+27dBm	+28dBm	
Output Saturated Power	+29dBm	+30dBm	
Supply Voltage (V)		+5V	+6V
Quiescent Current/A (No RF)		2.5A	
Psat Current/A		4A	5A
Input Return Loss		-5dB	
Output Return Loss		-5dB	
Spec Temp		25C	

Shanghai AT Microwave Limited

Tel:021-6229 1233

Email: sales@atmicrowave.com

www.atmicrowave.com





AT-CPA-7176-1830G1

71-76GHz Power Amplifier, Psat=+30dBm

Mechanical Information

Item	Description
Input Port	WR-12
Output Port	WR-12
Case Material	Copper
Finish	Gold Plated
Weight (Without Heatsink)	271g
Size:	See outline

Absolute Maximum Ratings Table

Parameter	Value
Drain Supply	+7V
RF Input Power	+23dBm
Operating Temperature	0 to +50C
Storage Temperature	-65 to +150C

Caution:

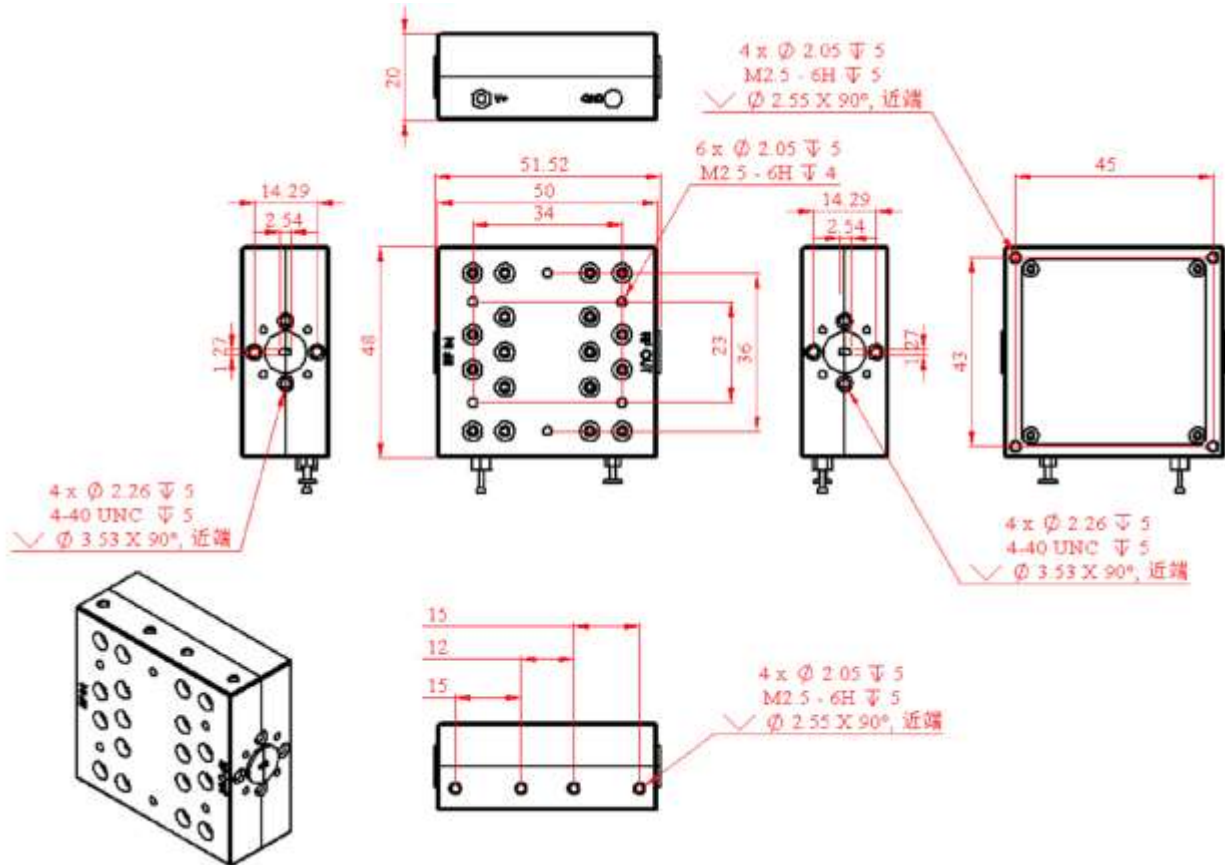
Please pay attention to the case temperature. If case temperature exceeds higher than +50C, heat sink and fan are required, or the amplifier may be damaged.

Notes:

1. Datasheet may be changed according to update of MMIC, Raw materials , process, and so on.
2. This data is only for reference, not for guaranteed specifications.
3. Please contact AT Microwave team to make sure you have the most current data.



Dimension: (unit in mm)



Heat Sink Required During Operation

